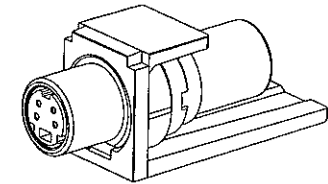
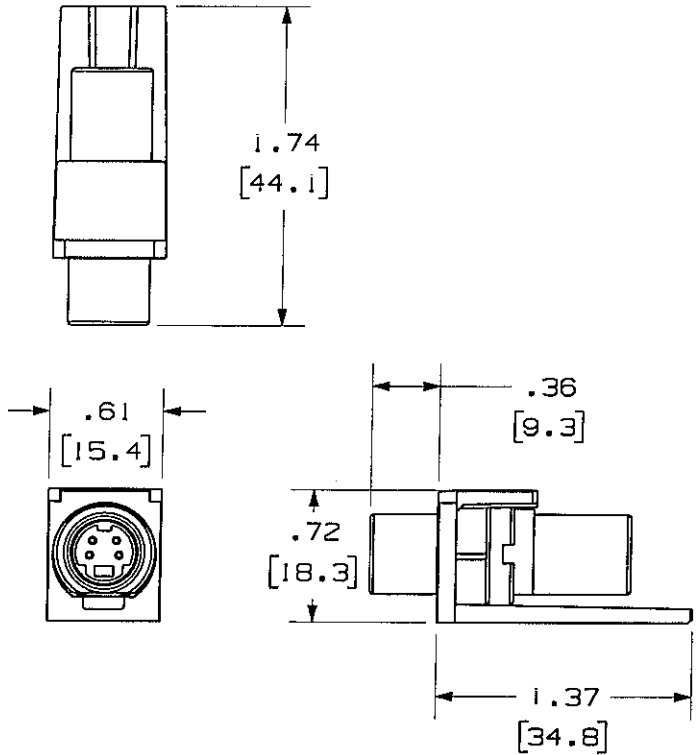


THIS COPY IS PROVIDED ON A RESTRICTED BASIS AND IS NOT TO BE USED IN ANY WAY DETRIMENTAL TO THE INTERESTS OF PANDUIT CORP.

PANDUIT P/N	WEIGHT
CMSVC**Y	.40 LB/10 PCS (181.3 g/10 PCS)

NOTES:

- SEE CURRENT CATALOG FOR ADDITIONAL PART NUMBER SUFFIXES TO INDICATE COLOR AND OR PACKAGE QUANTITY.
- SEE CATALOG FOR COMPLETE LIST OF PARTS APPLICABLE FOR USE WITH THIS PART.
- DIMENSIONS IN PARENTHESES ARE IN METRIC.
- PART INCLUDES:
 - 1- MODULE BASE
 - 1- S-VIDEO COUPLER (ASSEMBLED TO MODULE BASE)



NETWORK SYSTEMS
MAY 25 2006
ENGINEERING DEPT

MODEL FILENAME	M00823AA_CMSV_01.PRT	SIZE	A
DRAWING FILENAME	M02479HC_DC187_00A.PRT		

MINI-COM S-VIDEO COUPLER MODULE
CUSTOMER DRAWING

	PANDUIT TM CORP. TINLEY PARK, ILL 60477	1.1. NUMBER	N/A
		PRODUCT SPEC	N/A

	THIRD ANGLE PROJECTION	WORK INSTRUCTION	N/A
	ALL DIMENSIONS ARE GIVEN IN INCHES, UNLESS OTHERWISE SPECIFIED.	SCALE	NONE
	DIMENSIONAL TOLERANCES ARE: (.X) ± .010(.25) (.XX) ± .001(.025) (.XXX) ± .001(.025) ANGLES ± .001(.025)		

DRAWN BY	JsP	MATERIAL	MODULE - ABS COUPLER - NICKEL PLATED	PART NO.	CMSVC**Y
DATE	3-18-06			DRAWING NO.	02479-187

REV	DATE	BY	CHK	DESCRIPTION	ECN	R	CUST	SUP	OTH
R	3-18-06	JsP		RELEASED TO PRODUCTION	02479-187				